



FD8-150

Drilling Unit

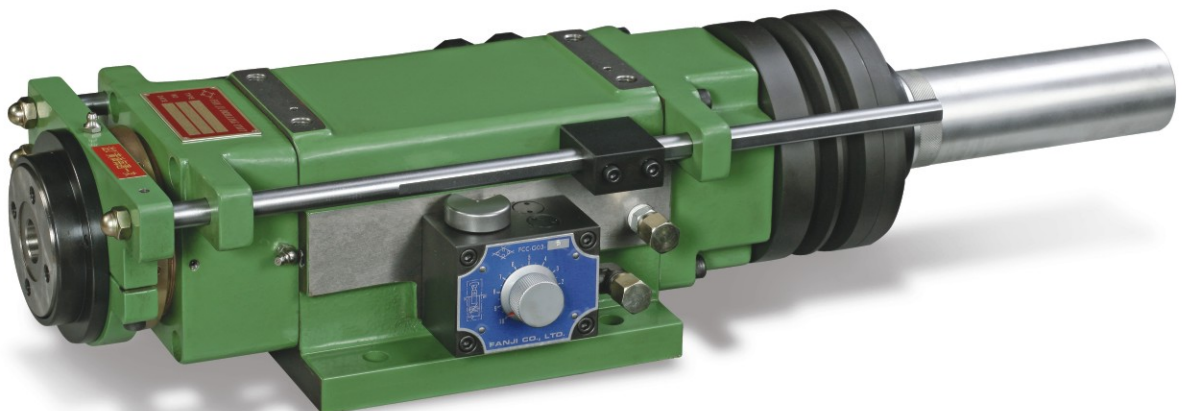
■ Specification

Hydraulic Pressure	20~35kg/cm ²
Drilling Capacity	φ 35(mild steel)
Flow Control Valve	FCC-G03-8
Max. Revolution/Minute	1,500rpm
Weight	67kg
Stroke	150mm
Cylinder Diameter	φ 110
Cylinder Area	Forward 71.2cm ² , Backward 31.4cm ²
Thrust Force	1,420kg(20kg/cm ²)

■ Consumption Parts

Spindle Bearing	32009x1, 6009Zx1, 32008x1, 6008Zx1
Pulley Bearing	6013Zx1, 51213x1
O-Ring for Front Cover	DH-90x1, P-90x1, USI-90-100-6x1, G-115x1
O-Ring for Piston	P-100x2, G-65x1
O-Ring for Rear Cover	P55x1, T601-55.65.6x1, G-105x1

- High rpm application is available, specify this requirement when placing order.
- Left side mounted fitting holes and flow control valve are available, specify this requirement when placing order.
- The stopper is a safety device. It will shorten bearing life if applying pressure on stopper for too long.
- If mounting multiple spindle head to this unit, spindle nose type:FD8M-150-MT4B is recommended.

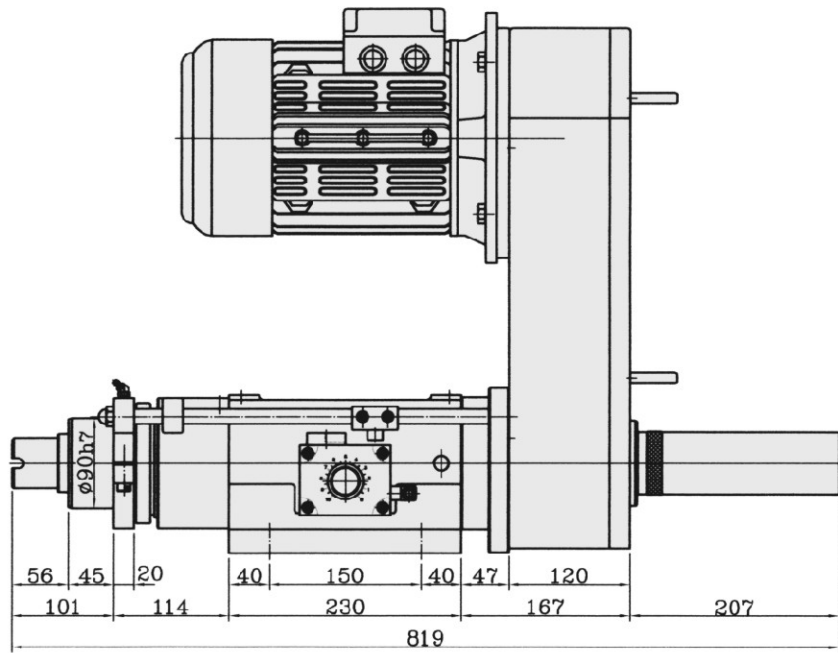
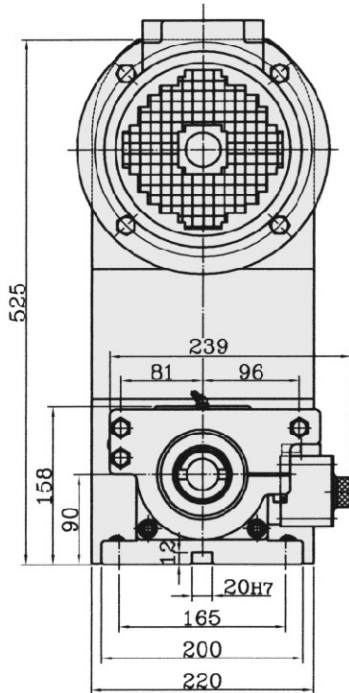




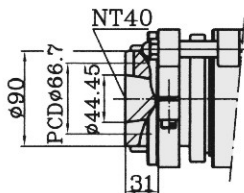
FD8-150

Drilling Unit

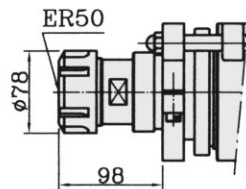
■ Dimensions



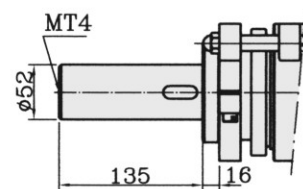
FD8-150-NT40



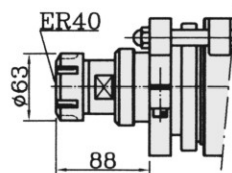
FD8-150-ER50



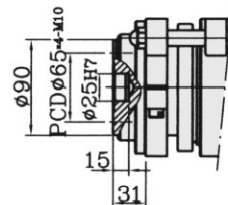
FD8-150-MT4A



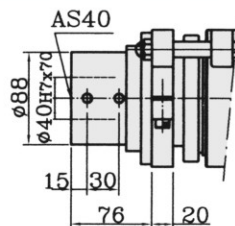
FD8-150-ER40



FD8-150-FB30



FD8-150-AS40



FD8M-150-MT4B Multi

