



F6N-60

Tapping Unit

Specification

Tapping Capacity	M12(mild steel)
Stroke	60mm
Thread Pitch	0.4mm~2.0mm
Weight	18kg
Gauge Lubrication	Grease
Transmission	a. A2-DP ϕ 111 b. HTD-5GT-76T

Consumption Parts

Spindle Bearing	6004Zx2
Pulley Bearing	60062RSx2, 6906ZZx1
O-Ring for Spindle	TC25-42-8x1, TC50-72-10x1

- The unit is mounted with high precision, ground master gauge for precision and fine tapping works.
- Thread pitch should be given when placing order.
- Master gauge is mounted externally at the end of unit for easy and quick change.
- Horizontal and vertical application are available, oil cup should be adjusted accordingly.
- For mounting multiple spindle to this tapping unit, nose type:F6N-60-JT6 is recommended.

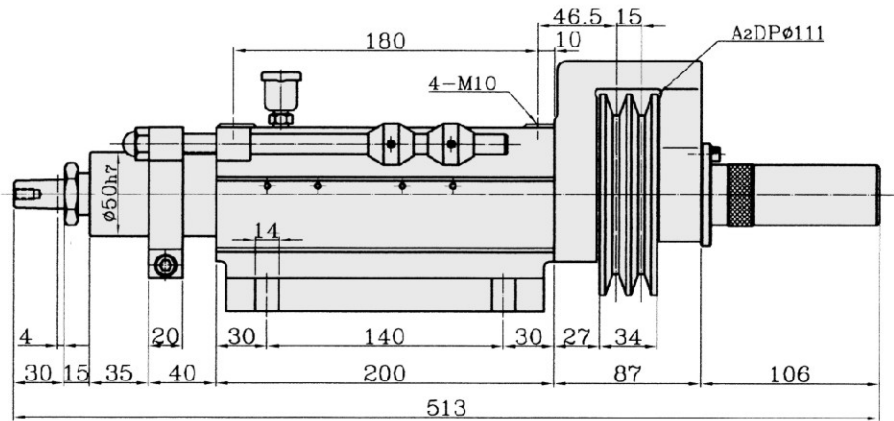
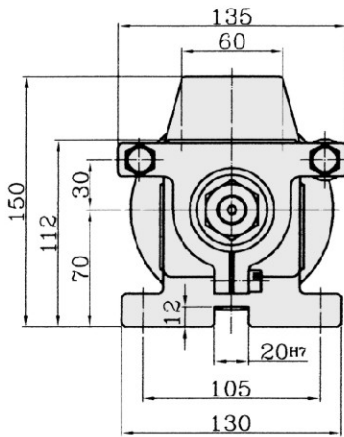




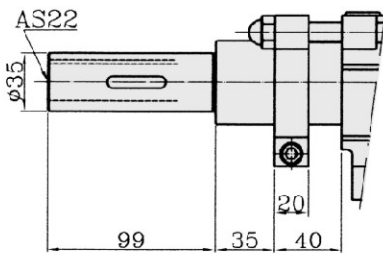
F6N-60

Tapping Unit

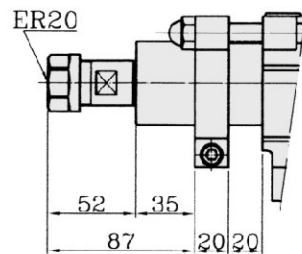
■ Dimensions



F6N-60-AS22



F6N-60-ER20



F6N-60-JT6

