



FD33-55

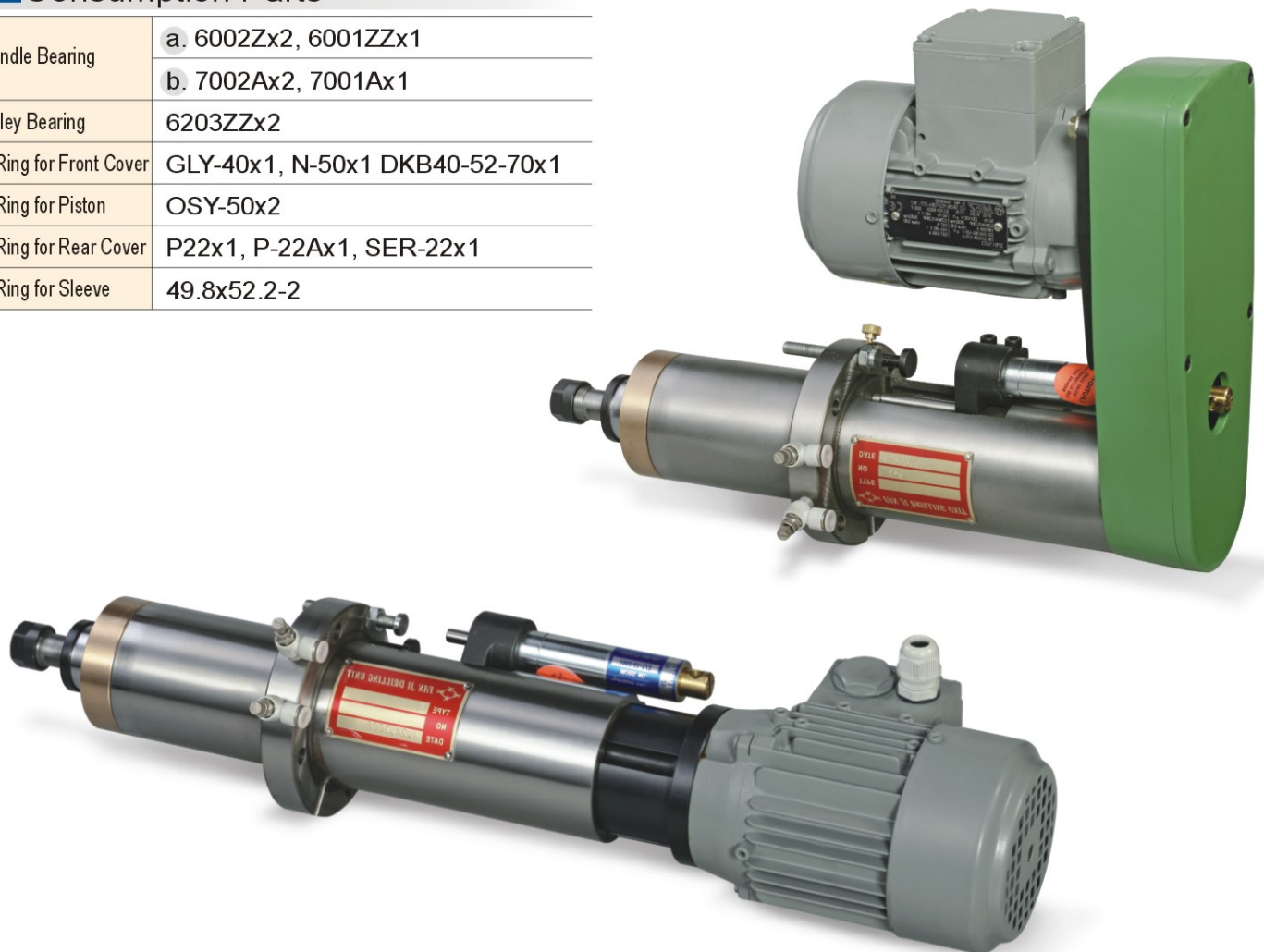
Drilling Unit

Specification

Pneumatic Pressure	4~6 kg/cm ²
Drilling Capacity	φ 5(mild steel)5kg/cm ²
Chuck Type	ER16- φ 10, JT1- φ 6.5, JT2- φ 10
Power	0.25kw-2P, 4P, 220V/380V
Max. Revolution/Minute	6,000rpm
Weight	19kg
Overall Stroke	55mm
Drilling Stroke	25mm or 50mm
Cylinder Diameter	φ 50
Cylinder Area	Forward 15.8cm ² , Backward 7.1cm ²
Thrust Force	79kg(5kg/cm ²)
Transmission Pulley	V-Shape, 189J, 201J

Consumption Parts

Spindle Bearing	a. 6002Zx2, 6001ZZx1
	b. 7002Ax2, 7001Ax1
Pulley Bearing	6203ZZx2
O-Ring for Front Cover	GLY-40x1, N-50x1 DKB40-52-70x1
O-Ring for Piston	OSY-50x2
O-Ring for Rear Cover	P22x1, P-22Ax1, SER-22x1
O-Ring for Sleeve	49.8x52.2-2

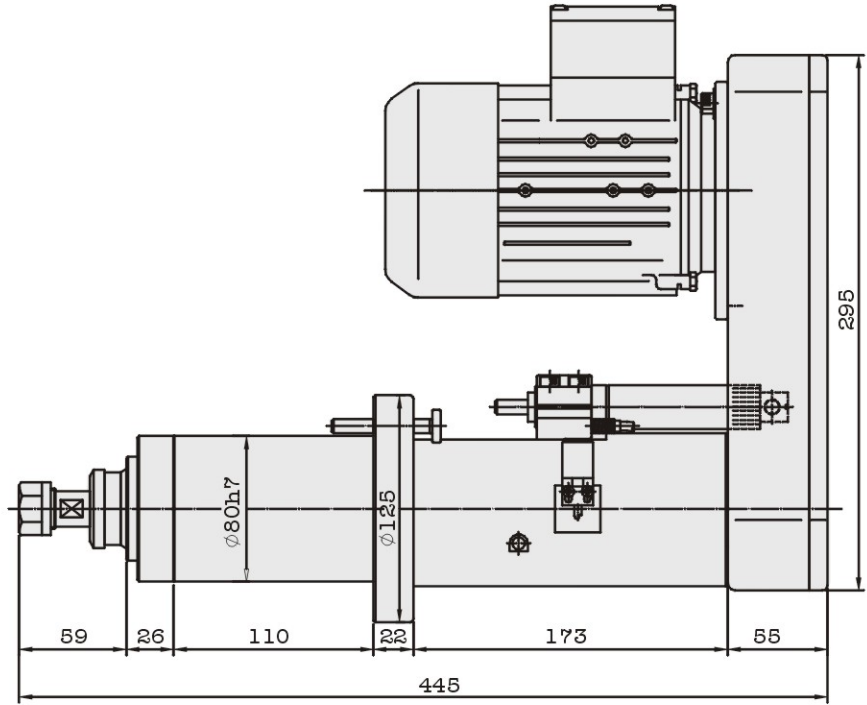
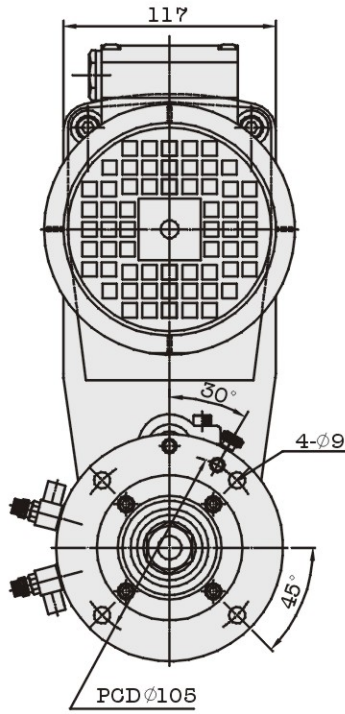




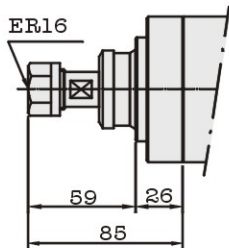
FD33-55

Drilling Unit

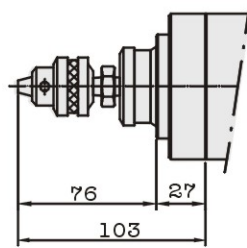
■ Dimensions



FD33-55-ER16



FD33-55-JT1



FD33-55-JT2

